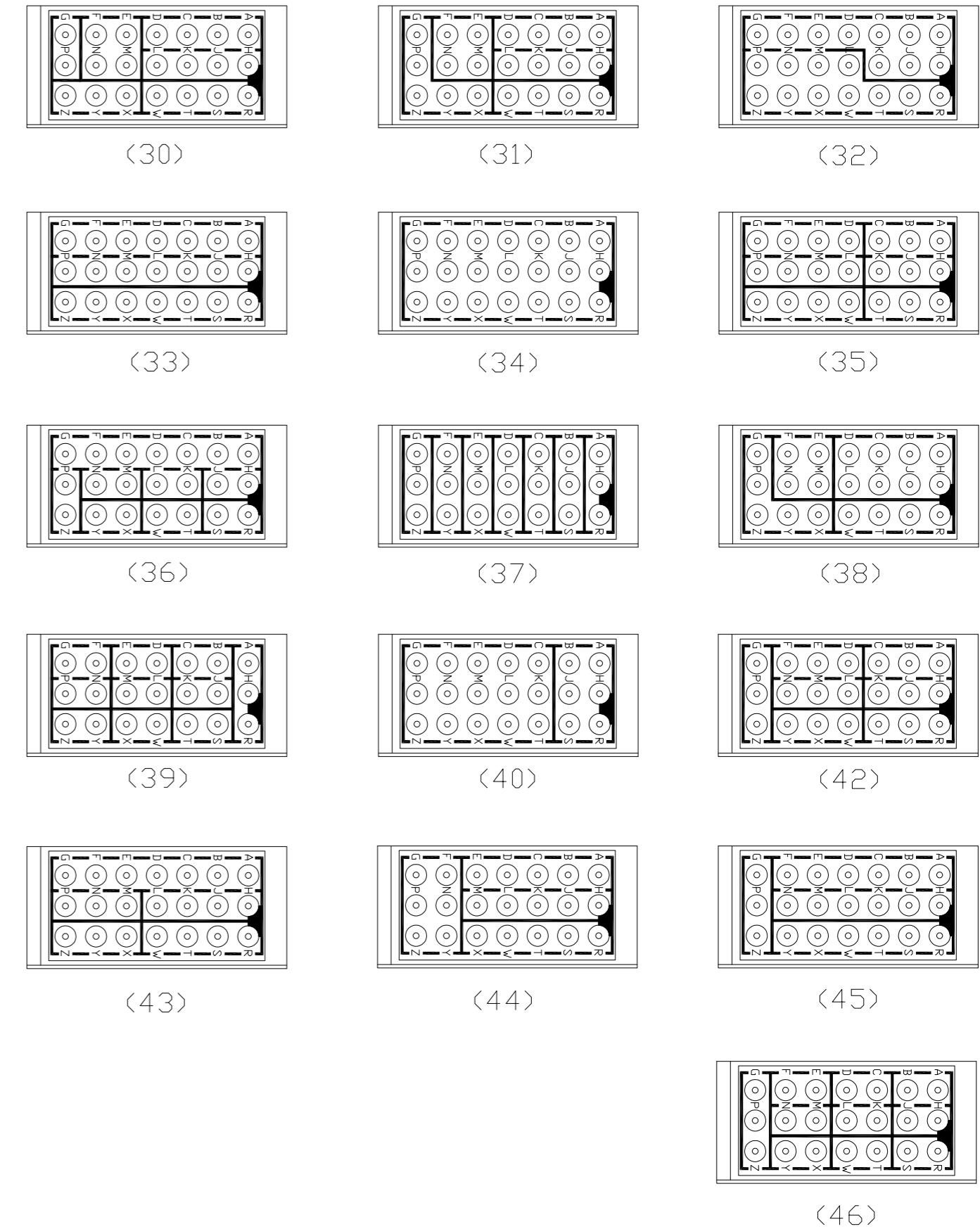
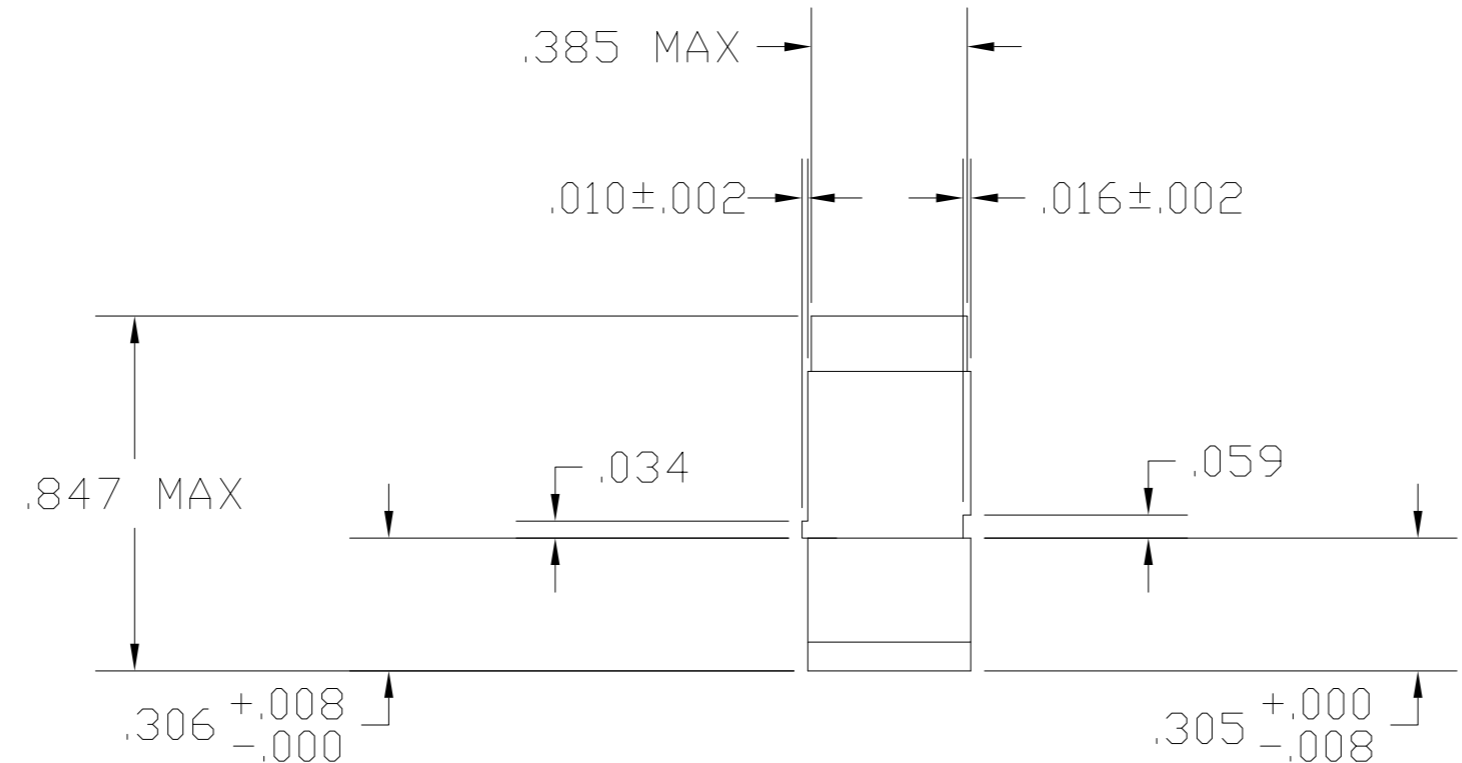
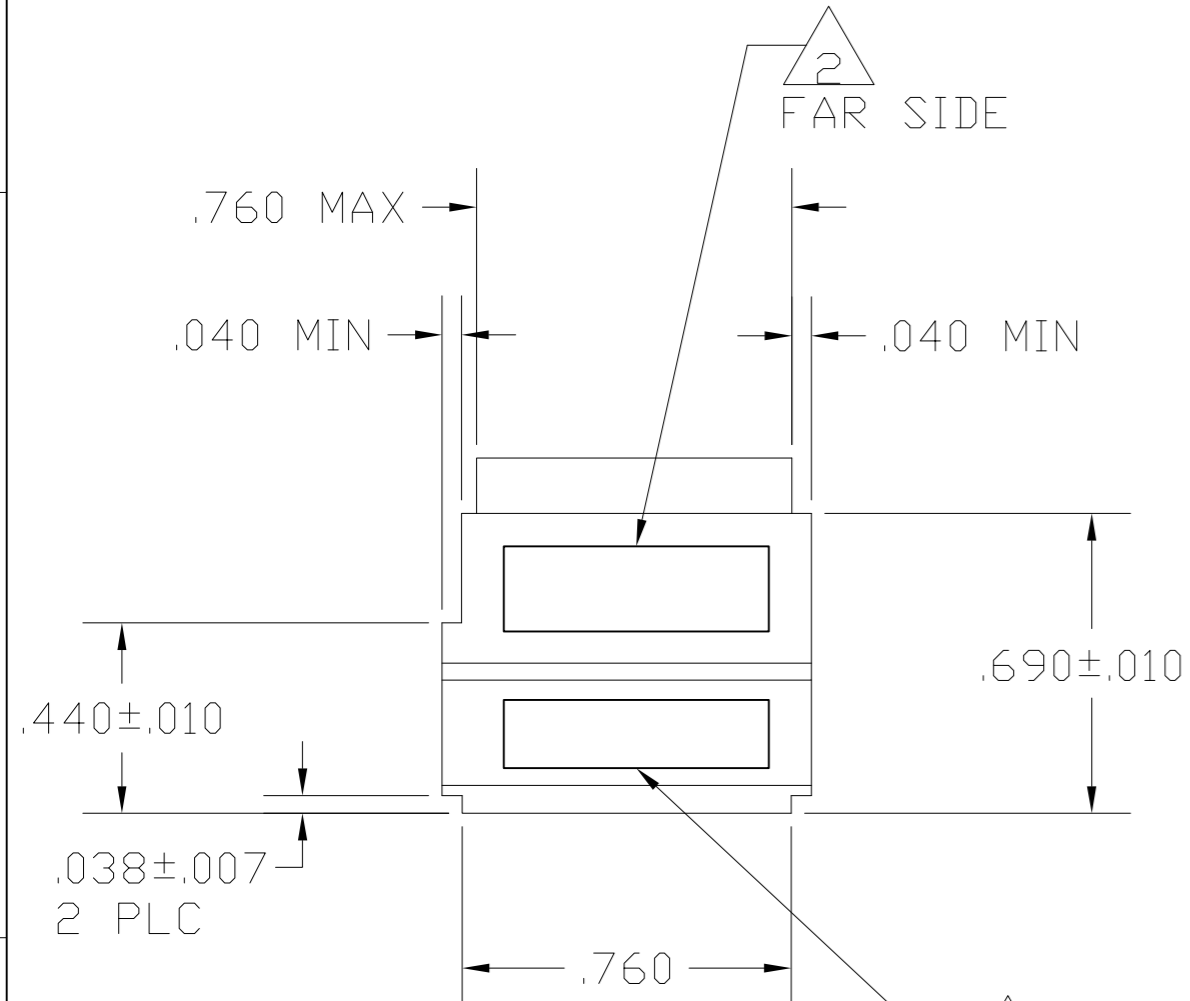
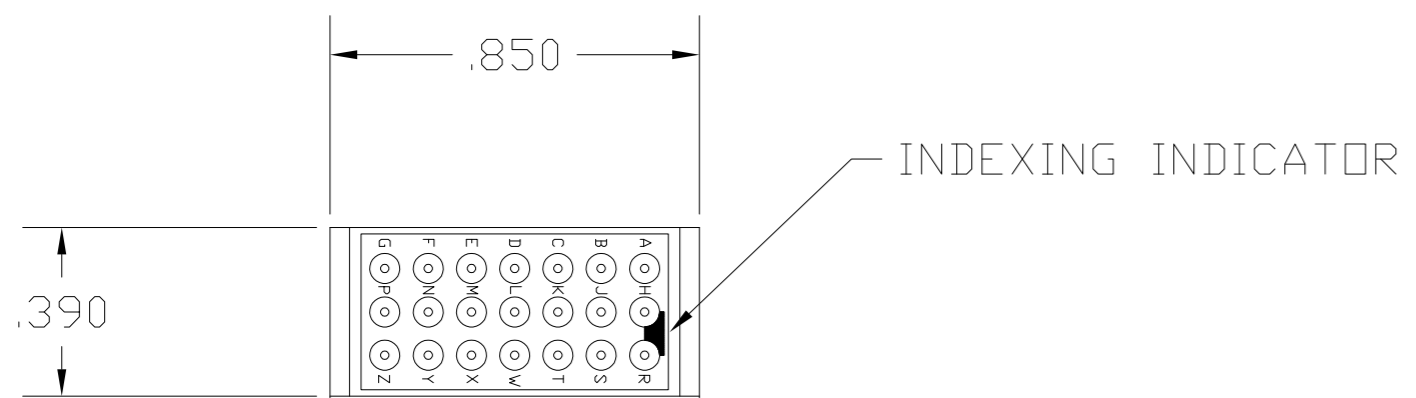


THIS DRAWING IS UNPUBLISHED.		RELEASED FOR PUBLICATION
© COPYRIGHT - By -		ALL RIGHTS RESERVED.
DESCRIPTION	MATERIAL	FINISH
MODULE ASSEMBLY	EPOXY	COLOR: BLACK
GROMMET	FLUORSILICONE RUBBER	COLOR: BLUE
CONTACT SOCKET	BERYLLIUM COPPER PER QQ-C-533	GOLD PLATE PER MIL-G-45204
RETAINING CLIP	BERYLLIUM COPPER PER QQ-C-533 OR STAINLESS STEEL PER QQ-S-766	NONE
CONTACTS	COPPER ALLOY PER MIL-C-39029/1	GOLD PLATE PER MIL-G-45204
SEALING PLUGS	F.E.P. PER MIL-P-19468	COLOR: BLACK

LDC		DIST		REVISIONS			
DF	AO	P	LTR	DESCRIPTION	DATE	DWN	APVD
		D		REVISED PER ECD-11-011660	08JUL11	PY	DE



BUSSING ARRANGEMENTS 3

- 3 BUSSING ARRANGEMENT OUTLINE DENOTES INTERNAL ARRANGEMENT OF CONTACT SOCKETS.
- 2 MARK MODULE ASSEMBLY WITH CUSTOMER PART NO., MILITARY PART NO. IF REQUIRED .060 MINIMUM HIGH CHARACTERS AT APPROXIMATE AREA SHOWN.
- 1 MARK MODULE ASSEMBLY WITH "AMP", AMP PART NO. AND DATE CODE .060 MINIMUM HIGH CHARACTERS AT APPROXIMATE AREA SHOWN.

THIS DRAWING IS A CONTROLLED DOCUMENT.		DWN J. MECK 3-10-93	TE TE Connectivity	
DIMENSIONS: INCHES		CHK R. RYAN 3-31-93		
TOLERANCES UNLESS OTHERWISE SPECIFIED:		APVD R. RYAN 3-31-93	NAME -	
0 PLC ± -		PRODUCT SPEC	MODULE ASSY, FEED-BACK, SIZE 21, TJ	
1 PLC ± -		APPLICATION SPEC	-	
2 PLC ± -			SIZE	CAGE CODE
3 PLC ± .005			A2	00779
4 PLC ± -			DRAWING NO	592629
ANGLES ± -		WEIGHT	RESTRICTED TO	
FINISH		-	-	
MATERIAL		CUSTOMER DRAWING	SCALE	SHEET
			2: 1	1 of 2
				REV D


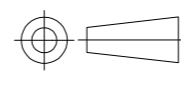
THIS DRAWING IS UNPUBLISHED. RELEASED FOR PUBLICATION
 © COPYRIGHT - By - ALL RIGHTS RESERVED.

LDC		DIST		REVISIONS			
P	LTR	DESCRIPTION	DATE	DWN	APVD		
-	-	SEE SHEET 1	-	-	-		

Part No.	46	45	44	43	42	40	39	38	37	36	35	34	33	32	31	30	SEALING PLUG QTY	CONTACTS QTY	PART NO.
MRTB21D43				X													--	--	4-592629-9
MRTB21D39						X											--	--	4-592629-8
M81714/17-D30														X			X	X	4-592629-7
M81714/17-D45	X																X	X	4-592629-5
M81714/17-D36								X									X	X	4-592629-4
M81714/17-D43				X													X	X	4-592629-3
M81714/17-D42					X												X	X	4-592629-2
M81714/17-D41																	OBSOLETE		4-592629-1
-----				X													--	--	4-592629-0
-----																	SUPERCEDED BY 4-592629-9		3-592629-3
MRTB21D42					X												--	--	3-592629-2
MRTB21D44		X																	3-592629-1
MRTB21D37								X											3-592629-0
MRTB21D36									X										2-592629-9
MRTB21D35										X									2-592629-8
MRTB21D34											X								2-592629-7
MRTB21D32													X						2-592629-6
MRTB21D31														X					2-592629-5
MRTB21D30															X				2-592629-4
G383962-1							X										X	X	2-592629-3
-----																			2-592629-2
77A112809-2	X																X	X	2-592629-1
-----																			2-592629-0
M81714/17-D44		X															X	X	1-592629-9
-----																			1-592629-8
M81714/17-D40					X												X	X	1-592629-7
-----																			1-592629-6
M81714/17-D39							X										X	X	1-592629-5
-----																			1-592629-4
M81714/17-D38								X									X	X	1-592629-3
-----																			1-592629-2
M81714/17-D37									X								X	X	1-592629-1
-----																			1-592629-0
M81714/17-D35										X							X	X	592629-9
-----																			592629-8
M81714/17-D34											X						X	X	592629-7
-----																			592629-6
M81714/17-D33													X				X	X	592629-5
-----																			592629-4
M81714/17-D32														X			X	X	592629-3
-----																			592629-2
M81714/17-D31															X		X	X	592629-1

MARKING


THIS DRAWING IS A CONTROLLED DOCUMENT.

DIMENSIONS INCHES	TOLERANCES UNLESS OTHERWISE SPECIFIED:	DWN J. MECK 3-10-93	 TE Connectivity
	0 PLC ± - 1 PLC ± - 2 PLC ± - 3 PLC ± .005 4 PLC ± - ANGLES ± -	CHK R. RYAN 3-31-93	
MATERIAL	FINISH	APVD R. RYAN 3-31-93	NAME
		PRODUCT SPEC	MODULE ASSY, FEED-BACK, SIZE 21, TJ
		APPLICATION SPEC	
		WEIGHT	SIZE CAGE CODE DRAWING NO RESTRICTED TO
		CUSTOMER DRAWING	A200779C-592629
			SCALE 2:1 SHEET 2 OF 2 REV D